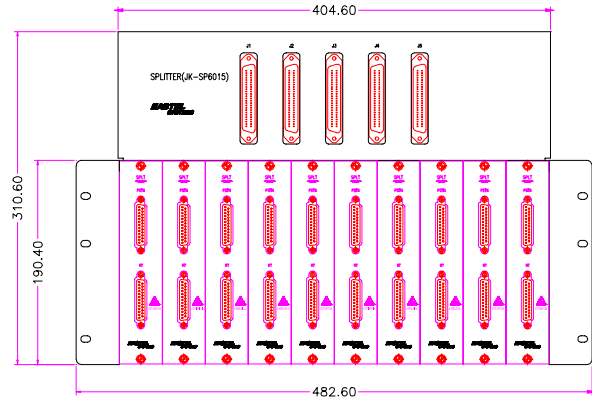
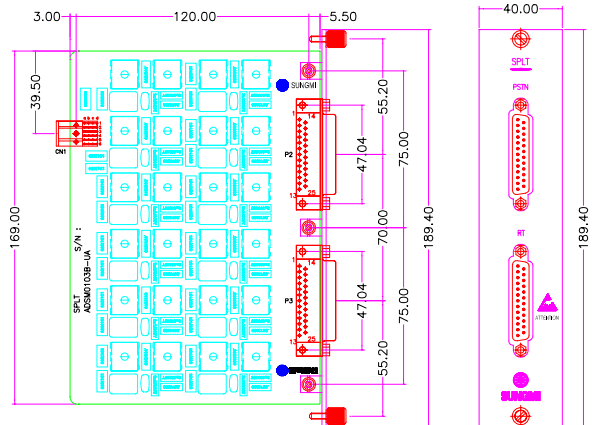
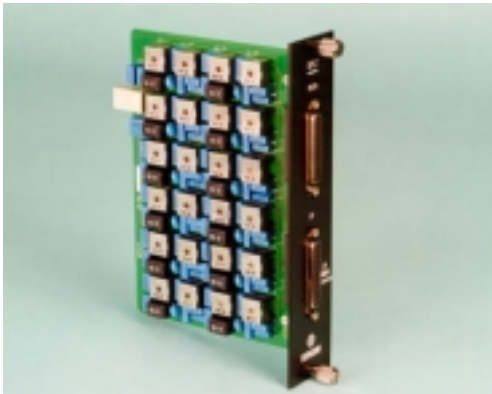


JK-SP6015

OUTLINE DRAWING (Unit : mm)

JK-SP6013

SPECIFICATIONS

- Insertion Loss @ 1004Hz : 1.0 dB Max.
- Attenuation Distortion @ 0.2~3.4KHz : ± 1.5 dB Max.
- Attenuation Distortion @ 3.4~4.0KHz : ± 2.0 dB Max.
- Delay Distortion @ 0.6~3.4KHz : 200us Max.
- Delay Distortion @ 0.2~4.0KHz : 250us Max.
- Return Loss @ 0.2~4.0KHz : 2.0 dB Min.
- Longitudinal Balance @ 0.2~1.0KHz : 58.0 dB Min.
- Longitudinal Balance @ 1.0~3.0KHz : 53.0 dB Min.
- Attenuation @ 30~300KHz : 65.0 dB Min.
(Input Level 10dBm)
- Attenuation @ 300~1104KHz : 55.0 dB Min.
(Input Level 10dBm)
- DC Resistance Between TIP-RING : 25 Ω Max.
- Insulation Resistance Between TIP-RING : 5M Ω Min.
- ANSI AnnexE, KT Standard.

FREQUENCY RESPONSE
