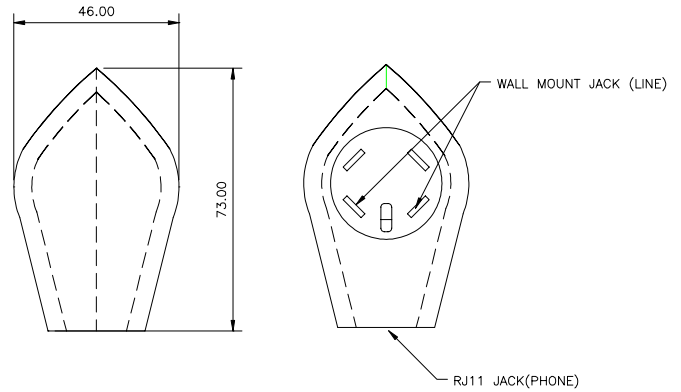


JK-SP6066

OUTLINE DRAWING (Unit : mm)

SPECIFICATIONS

- Insertion Loss @ 1004Hz : 1.0 dB Max.
- Attenuation Distortion @ 0.2~3.4KHz : ± 0.5 dB Max.
- Attenuation Distortion @ 3.4~4.0KHz : ± 1.0 dB Max.
- Delay Distortion @ 0.6~3.4KHz : 100us Max.
- Delay Distortion @ 0.2~4.0KHz : 150us Max.
- Return Loss @ 0.2~4.0KHz : 20 dB Min.(600 Lode)
- Longitudinal Balance @ 0.2~1.0KHz : 58.0 dB Min.
- Longitudinal Balance @ 1.0~3.0KHz : 50.0 dB Min.
- Attenuation @ 30KHz : 20 dB Min. (Input Level 10dBm)
- Attenuation @ 300~1104KHz : 50 dB Min.
(Input Level 10dBm)
- DC Resistance Between TIP-RING : 100 Max.
(TIP-RING Short)
- Insulation Resistance Between TIP-RING : 5M Min.
(TIP-RING Open)

FREQUENCY RESPONSE
