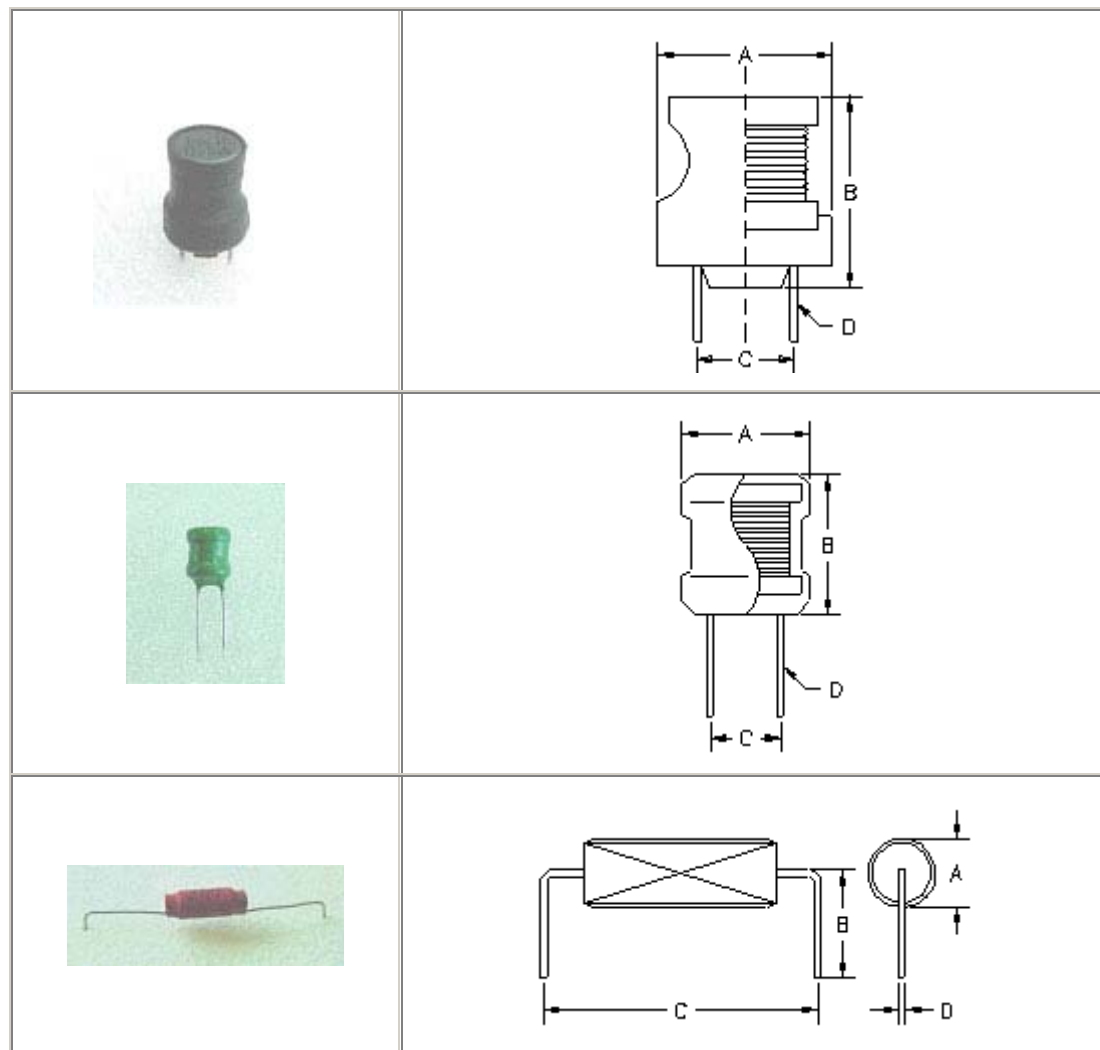

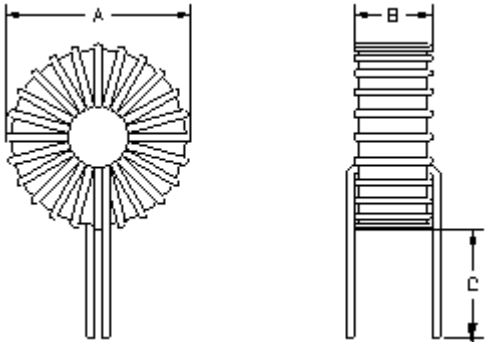


CHOKE AND TROIDAL COILS
CHOKE COIL


TYPE	Inductance	DCR (Ω MAX)	Rated Current (A MIX)	Dimensions				FIG
				A	B	C	D	
JKC-6575	0.5mH MAX	0.7	0.5	10 MAX	13 MAX	5.0	0.70 ϕ	1
JKC-8011	0.7mH MAX	1.0	0.7	12 MAX	18 MAX	7.5	0.70 ϕ	1
JKC-9512	1.5 μ H~1.0mH	4.5	3.0	9.5 MAX	12 MAX	5.0	0.65 ϕ	2
JKC-1010	2.5mH MAX	2.0	2.0	14 MAX	18 MAX	7.5	0.70 ϕ	1
JKC-1215	8.0mH MAX	5.0	2.4	16 MAX	25 MAX	7.5	0.80 ϕ	1
JKC-	11.0mH MAX	6.0	3.0	18	25	11.0	0.80 ϕ	1

1415				MAX	MAX			
JKC-1518	13.0mH MAX	6.0	4.5	20 MAX	27 MAX	7.5	1.00ø	1
JKC-3143	10.0μ H±20%	0.3	1.0	5.0 REF	10.0 REF	15.0 REF	0.50ø	3
JKC-3151	82μ H±20%	1.5	0.8	7.0 REF	10.0 REF	30.0 REF	0.70ø	3

TROIDAL COIL

				
TYPE	Inductance	Dimensions		
		A(MAX)	B(MAX)	C(MAX)
JKC-05	10	13.0	6.0	10.0
JKC-06	50	17.0	7.0	10.0
JKC-08	80	17.0	10.0	10.0
JKC-10	100	24.0	13.0	10.0