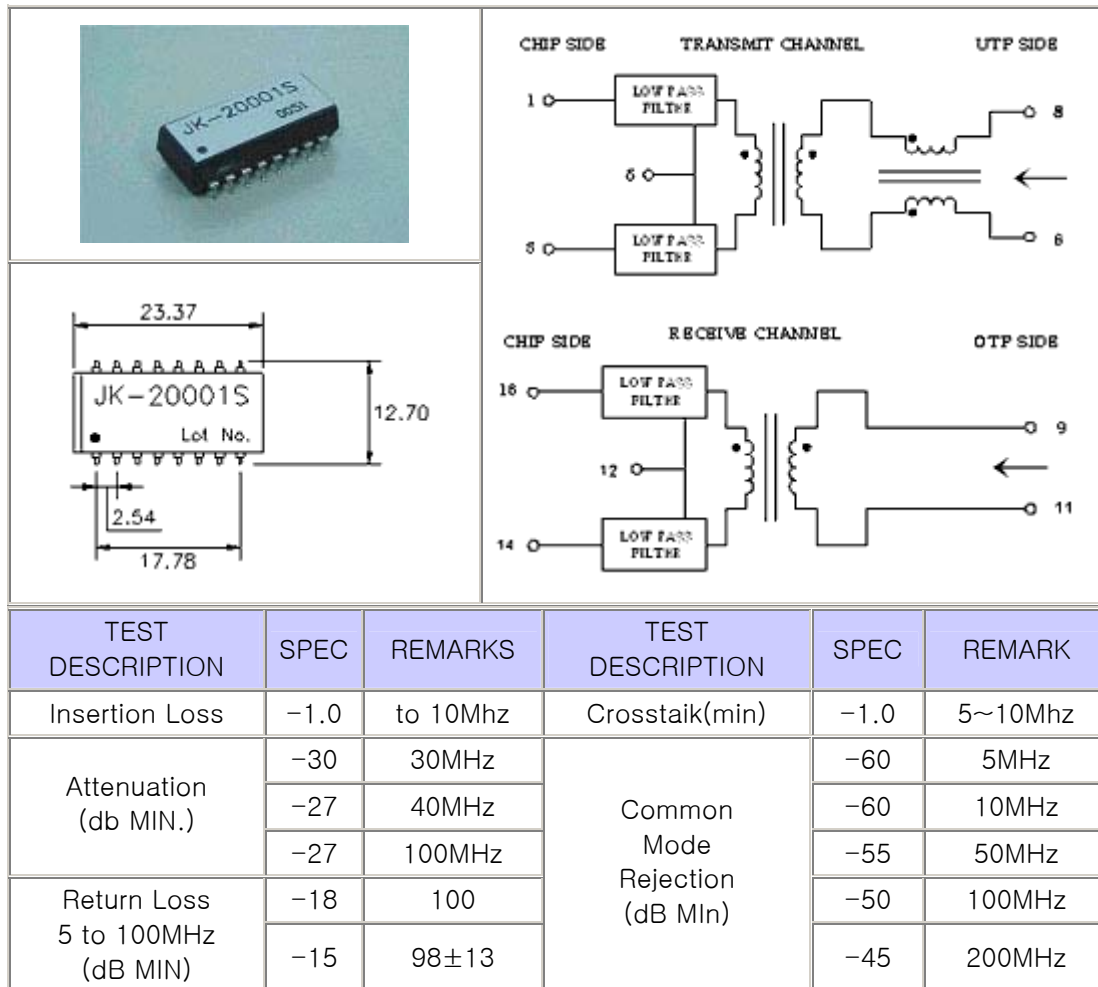

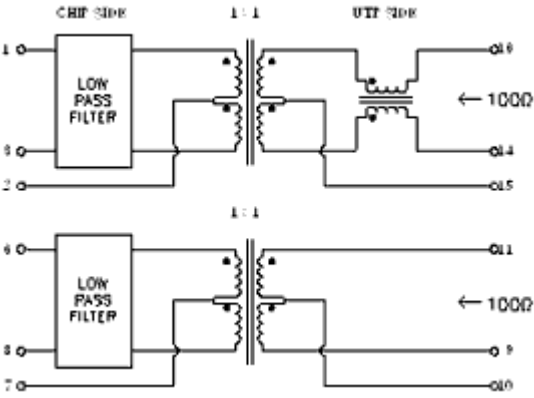
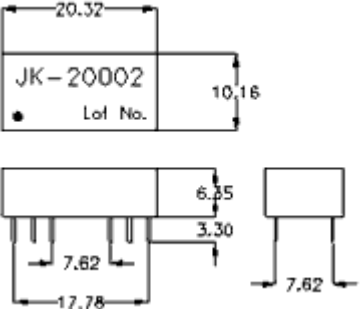
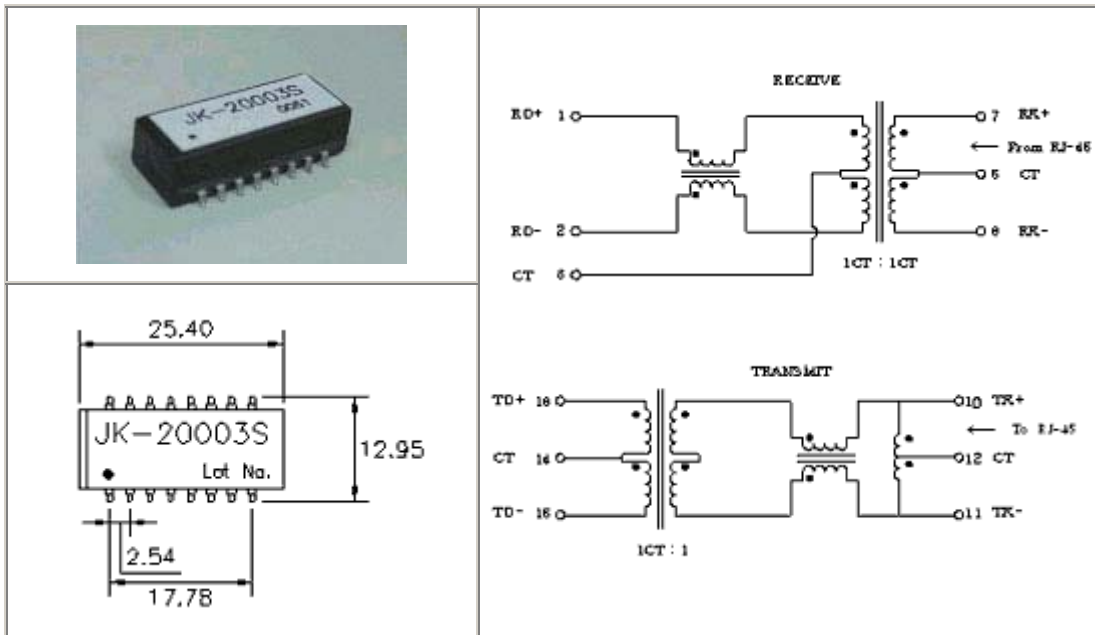


**INTERFACE MODULE**


				
				
TEST DESCRIPTION	SPEC	TOLERANCE	UNITS	REMARKS
Insertion Loss	-1.1	MAX	dB	100KHz~100MHz
Return Loss	-20	MIN.	dB	30MHz
	-14	MIN.	dB	60MHz
	-11.5	MIN.	dB	80MHz
Differential to Common Mode Rejection	-42	MIN.	dB	30MHz
	-37	MIN.	dB	50MHz
	-33	MIN.	dB	100MHz



TEST DESCRIPTION	SPEC	TOLERANCE	UNITS	REMARKS
Insertion Loss	-1.0	MAX	dB	0.1~100MHz
Return Loss	-20	MIN.	dB	1~30MHz
	-20	MIN.	dB	40MHz
	-18	MIN.	dB	50MHz
	-42	MIN.	dB	60~80MHz
Differential to Common Mode Rejection	-36	MIN.	dB	30MHz
	-33	MIN.	dB	60MHz
	-33	MIN.	dB	100MHz